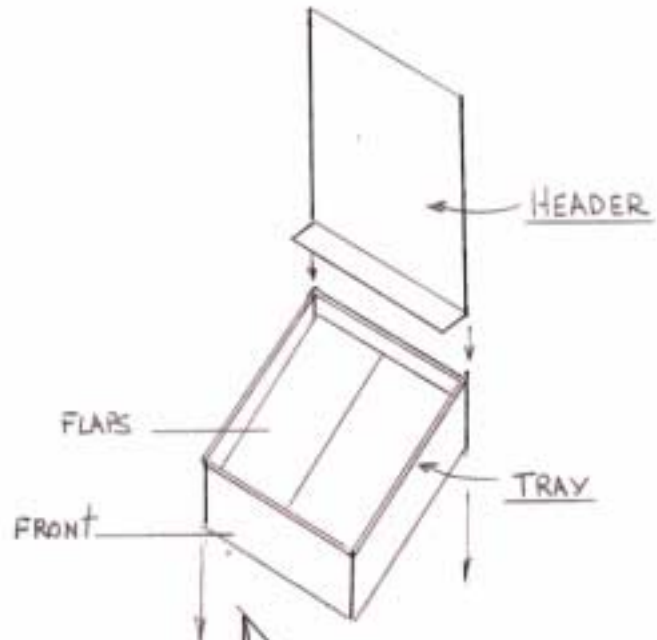
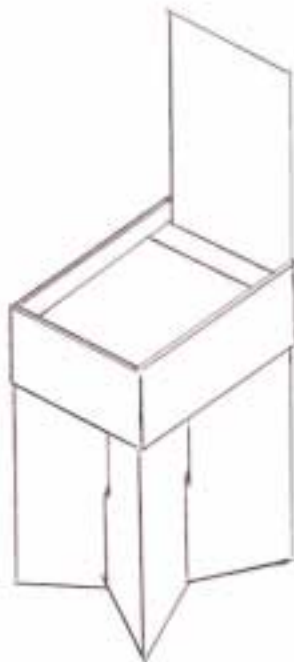


FOR  SLICES FLOOR DISPLAY

6-20-02



STEP I PULL PARTITIONS APART IN THE MIDDLE
TURN ONE PARTITION WITH SLOTS UP
THE OTHER WITH THE SLOTS DOWN. PUSH
THE (2) PIECES TOGETHER SO THAT
SLOT INTER LOCK.

STEP II SET UP TRAY BY MAKING IT RECTANGULAR
THEN ROWLING OVER FLAPS NARROW
SIDES FIRST THEN REPEAT WITH LONGER
SIDES. PLACE ON BASE PARTITIONS.

STEP III FOLD HEADER AT BASE AS SHOWN
AND FIT IN BACK OF TRAY. NEXT LOAD
PRODUCT INTO TRAY.

